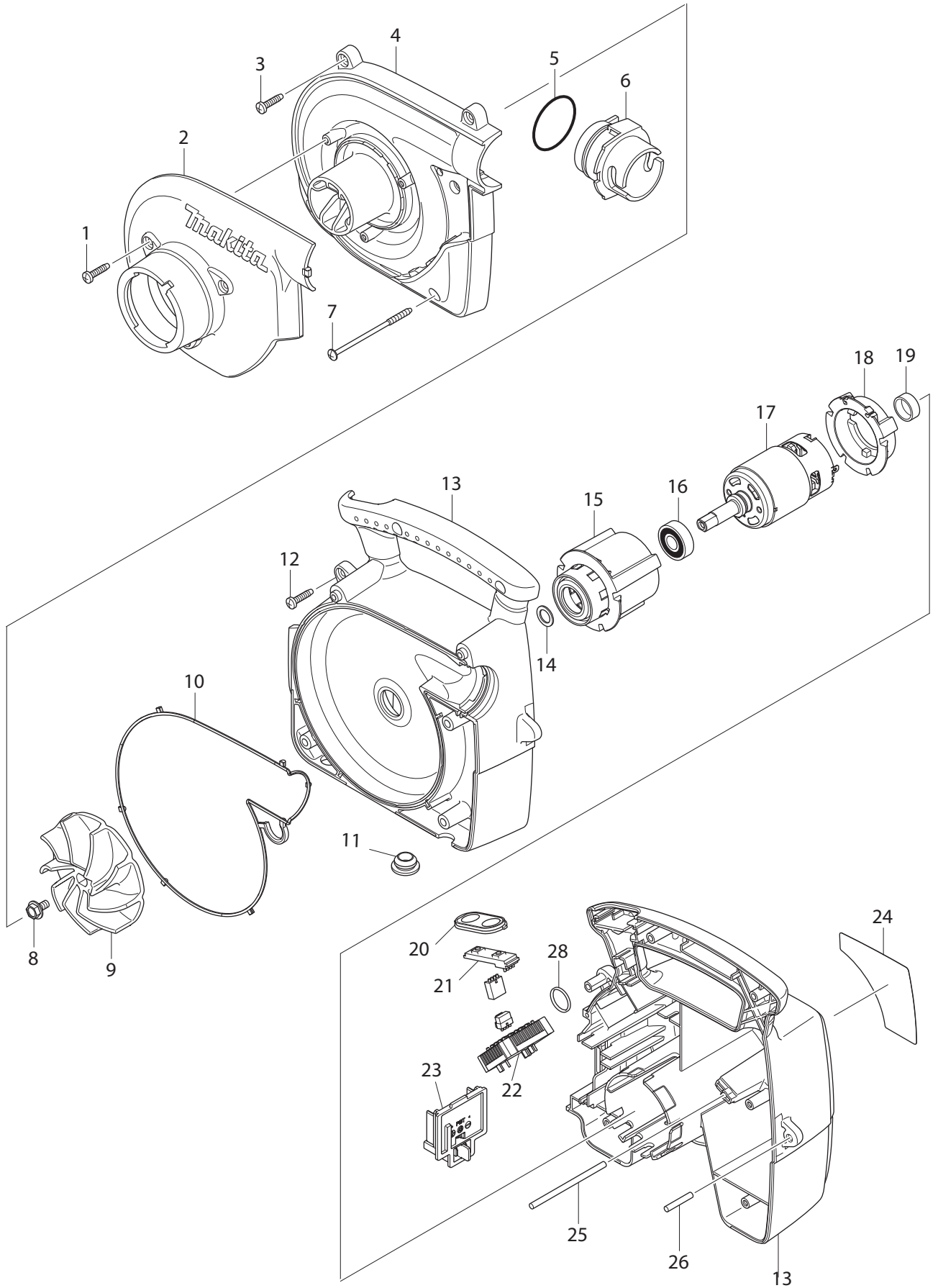




09 - 2011
LXCV02Z / LXCV02Z1
18V CLEANER



Item No	Type	Ref	Part No	Description	Qty	Unit
1			265995-6	TAPPING SCREW 4X18	3	PC.
2	1		140455-8	FRONT COVER COMPLETE	1	PC.
	2		140642-9	FRONT COVER COMPLETE	1	PC.
3			265995-6	TAPPING SCREW 4X18	2	PC.
4			451989-9	FAN COVER	1	PC.
5			213508-7	O RING 38	1	PC.
6			452067-8	JOINT	1	PC.
7			266049-2	TAPPING SCREW 4X75	3	PC.
8			266614-7	HEX. FLANGE HEAD BOLT M5X10	1	PC.
9			240122-6	FAN 86	1	PC.
10			424332-5	SEAL RING	1	PC.
11			286238-3	CAP 19	4	PC.
12			265995-6	TAPPING SCREW 4X18	3	PC.
13			187008-2	MOTOR HOUSING SET	1	PC.
		INC.		Item No. 10		
14			267047-9	FLAT WASHER 10	1	PC.
15			424330-9	MOTOR RUBBER RING A	1	PC.
16			210059-1	BALL BEARING 6000DDW	1	PC.
17			629888-5	DC MOTOR	1	PC.
18			424331-7	MOTOR RUBBER RING B	1	PC.
19			421940-3	CAP	1	PC.
20			140463-9	SWITCH PLATE COMPLETE	1	PC.
21			631973-2	SWITCH UNIT	1	PC.
22			620036-9	CONTROLLER	1	PC.
23			643852-2	TERMINAL	1	PC.
24			868984-6	LXCV02 NAME PLATE	1	PC.
25			268092-7	PIN 4	1	PC.
26			256206-0	PIN 4	1	PC.
28			259048-1	RING	1	PC.
C01			871114-0	CARTON	1	PC.
D01			654051-1	EARTH TERMINAL	1	PC.
D02			654069-2	RECEPTACLE	2	PC.
ACCESSORIES			- See catalogue or visit www.makita.ca for more optional accessories -			
A01			122918-6	DUSTBAG ASSEMBLY	1	PC.
A02			140456-6	HOSE COMPLETE 28-2.5	1	PC.
A03			166094-6	SHOULDER BELT	1	PC.
A04			132025-7	NOZZLE ASS'Y	1	PC.
		INC.	414145-2	JOINT	1	PC.
A05			417766-9	FRONT CUFF 38	1	PC.
A06			194205-3	18V LI-ION BATTERY BL1830	1	PC.
			194230-4	18V LI-ION BATTERY BL1830, 2/PK	2	PK
			194309-1	18V LI-ION BATTERY BL1815	1	PC.
			194428-3	18V LI-ION BATTERY BL1815, 2/PK	2	PK
A07	1		DC18RA	CHARGER DC18RA	1	PC.
	2		DC18RC	CHARGER DC18RC	1	PC.
			DC18SD	CHARGER DC18SD	1	PC.
			DC18SE	AUTOMOTIVE CHARGER DC18SE	1	PC.
			DC18RAKIT	CHARGER+BATTERY(DC18RA+BL1830)KIT	1	KIT
A08			194649-7	BATTERY PROTECTOR(BL1830)	1	PC.
A09			450128-8	BATTERY COVER F/LI-ION BATTERY	1	PC.